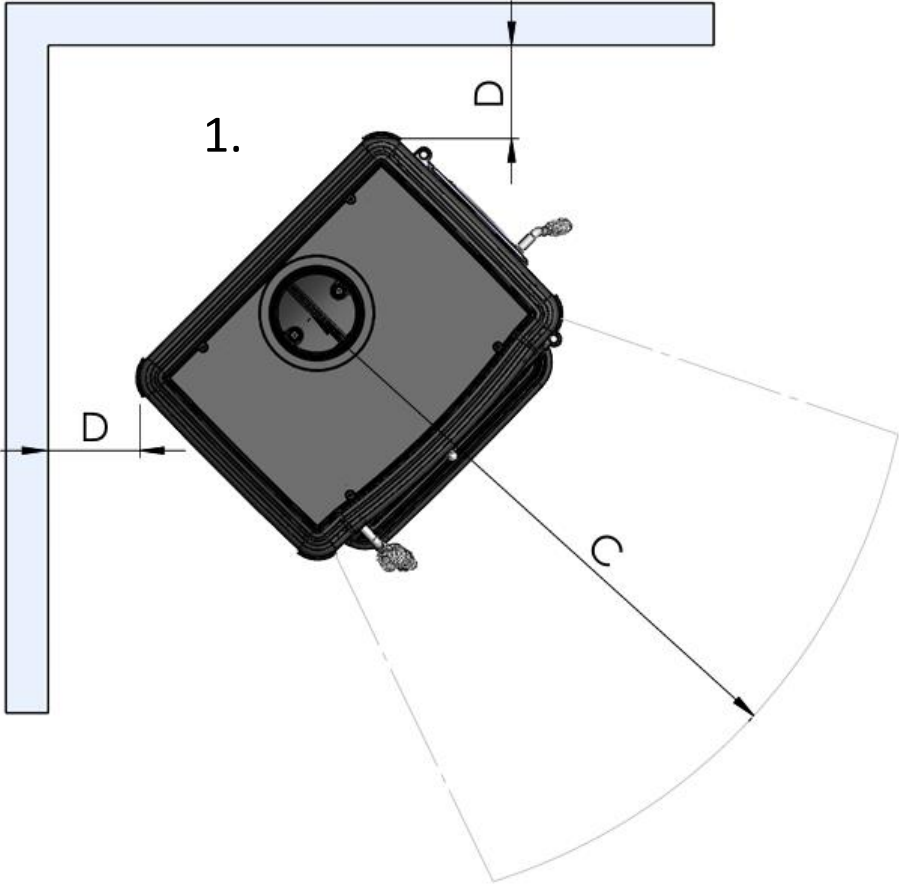
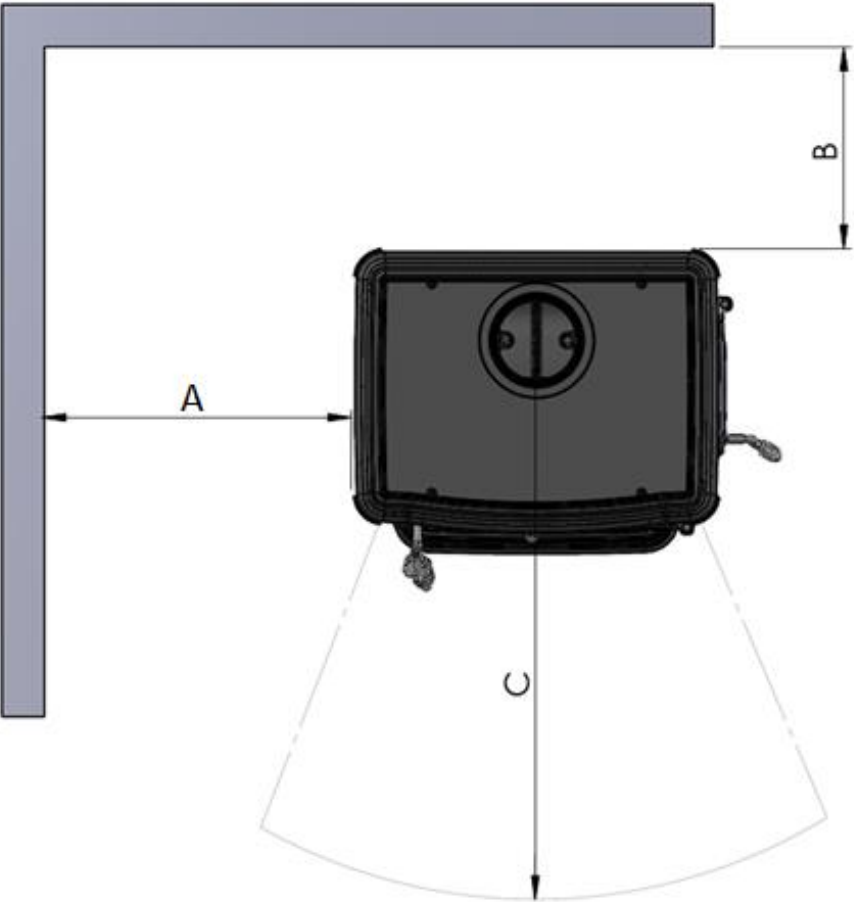


# DISTANCE TO FLAMMABLE MATERIAL



Model	A mm	B mm	C mm	D mm	E Overhead mm
8005 C, 8005 CK, 8010 C, 8010 CK	1000	300	1000	500	600